

# INSTALLATION AND SAFETY INSTRUCTIONS

## FOR YOUR SAFETY WARNING

Be sure the electricity to the wire you are working on is shut off;

Either the fuse is removed, or the circuit breaker is shut off.

## GENERAL

You don't need special tools to install this fixture. Be sure to follow the steps in the order given.

Under no circumstances should a fixture be hung on house electrical wires, nor should a swag type fixture be installed on a ceiling, which contains a radiant type heating system.

Read instructions carefully. If you are unclear as to how to proceed, consult a qualified electrician.

NOTE: Proper wiring is essential for the safe operation of this fixture.

## FIXTURE ASSEMBLY

Carefully remove the fixture from the carton and check that all parts are included as shown in the figure.

Be careful not to misplace any of the screws or parts which are needed to install this fixture.

## INSTALLATION

IMPORTANT: Do not attach fixture directly to outlet box.

STEP 1: Put the screws on fixture(Q) through the holes at the top of shade(A) and fasten in place with ball nut(B).

STEP 2: Thread the metal tube ("C" 24" x 2pcs, "D" 12" x 2pcs, "E" 6" x 1pc, "F" 3" x 1pc) into the coupling on the fixture(Q) (Choose the total height as needed)

STEP 3: Thread the swivel on Canopy(G) into the metal tube(F).

Be sure everything is tightened completely.

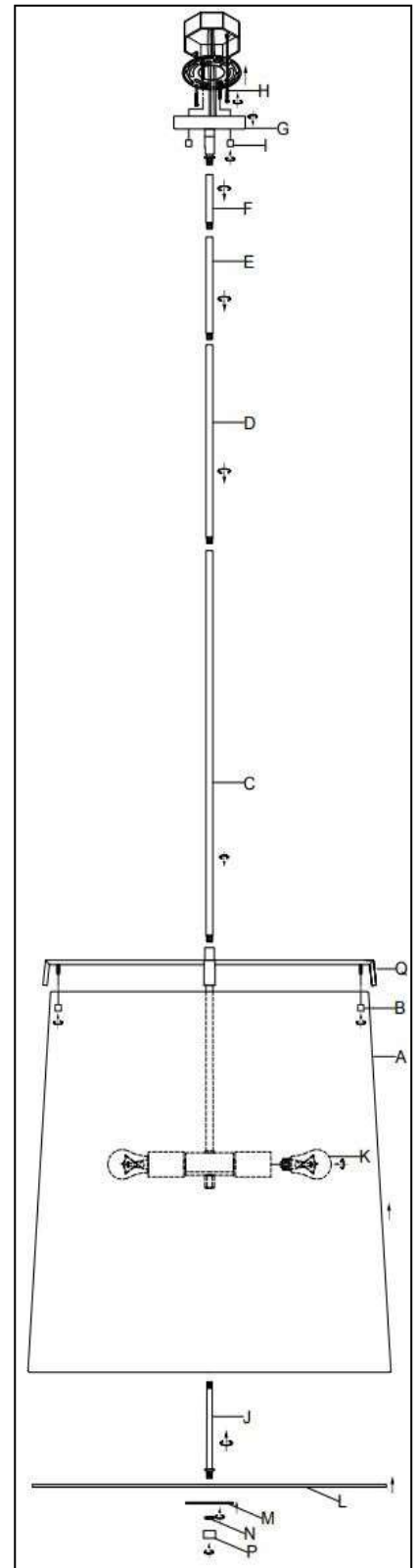
## GROUNDING INSTRUCTIONS

STEP 1: Insert the green grounding screw into the hole with two raised dimples on the circular strap. Wrap the ground wire from the fixture (if supplied) around the green grounding screw, then connect it to ground wire from the outlet box (if not fixed on the outlet box) using a wire connector (not supplied). If ground wire from the fixture is not supplied, wrap the ground wire (if not fixed on the outlet box) from the outlet box around the green grounding screw and tighten it.

NEVER CONNECT GROUND WIRE TO BLACK OR WHITE POWER SUPPLY WIRES.

STEP 2: Take note of the color of the wire(s) on your fixture.

Identify which group your fixture wire(s) falls into and connect the wires according to the directions below:



GROUP A: Connect to Black House Wire	GROUP B: Connect to White House Wire
BLACK	WHITE
*PARALLEL WIRE (round & smooth)	*PARALLEL WIRE (square & ridged)
WHITE OR GREY WITH TRACER	WHITE OR GREY WITHOUT TRACER
BROWN GOLD OR BLACK WITHOUT TRACER	BROWN, GOLD OR BLACK WITH TRACER

\*NOTE: When parallel wire (SPT-I & SPT-2) is used, the tracer wire is square shaped

or ridged and the less tracer wire is round in shape or smooth (seen best when viewed from wire end.)

STEP 3: Take your fixture wire(s) from group A and place evenly against the black wire from the outlet box.

Do NOT twist wires together before using wire connectors.

STEP 4: Fit a wire connector (not supplied) over the wires and

screw the connector clockwise until you feel a firmness.

STEP 5: Try gently to pull the connector off the wires. If you can pull the connector off,

carefully re-do steps 3 and 4, as above, and check again for a firm connection.

STEP 6: Connect the fixture wire from group B to the white wire

from the outlet box in the same manner. Make sure no bare wires can be seen outside wire connectors.

### **FINAL ASSEMBLY**

STEP 1: After wires are connected, tuck them carefully inside the outlet box.

Then raise the canopy (G) to the ceiling, allowing the screws from crossbar(H) to protrude through canopy(G). Fasten in place with finials(I)

STEP 2: Install light bulb(K) (Not Included) (Please do not exceed the maximum capacity recommended on the socket.)

STEP 3: Thread the tube(J) into the coupling on socket housing. Attached the acrylic diffuser(L) onto the tube (J) nipple, then screw by Metal pad(M), Hex Nut(N) and finial (P).

### **CLEANING INSTRUCTION**

To clean wipe fixture with a soft cloth. Clean glass with a mild soap.

Do not use abrasive materials such as scouring pads or powders, steel wool or abrasive paper.

### **ORDERING PARTS**

Keep this sheet for future reference, and in case you need to order replacement parts.

All parts for this fixture can be ordered from the place of purchase.

Be sure to use exact wording from illustration when ordering parts.

**Line art shown may not exactly match the fixture enclosed. However, the installations do apply to this fixture.**

**ITEM NO: 3501P24BN/MB/MGLD & 3502P24BN/MB/MGLD**