

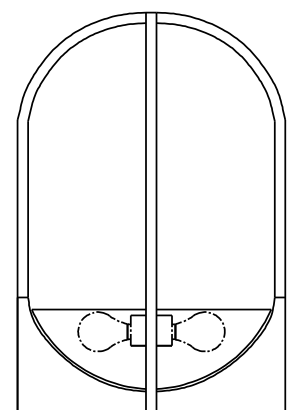
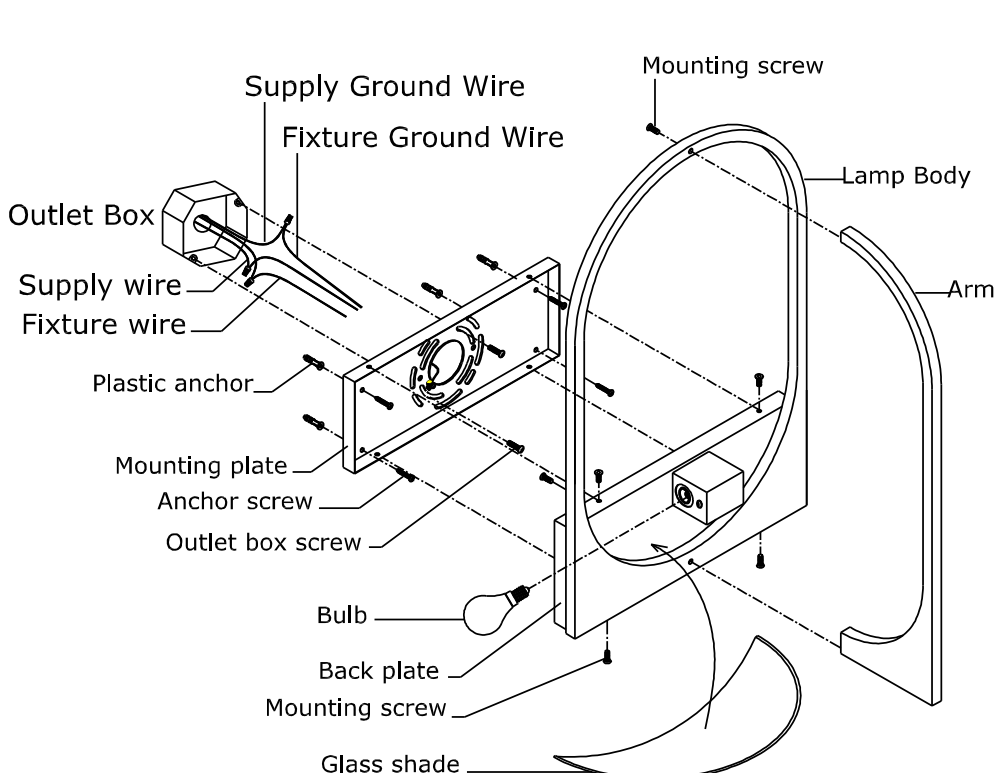
ASSEMBLY AND INSTALLATION INSTRUCTION

WARNING: SHUT POWER OFF AT FUSE OR CIRCUIT BREAKER!

NOTE: BEFORE INSTALLING, CONSULT LOCAL ELECTRICAL CODES FOR WIRING AND GROUNDING REQUIREMENT.

Installation Steps:

1. Carefully unpack your new fixture and lay out all the parts on clear area. Take care not to lose any small parts necessary for installation.
2. Hold mounting plate up against the wall aligning the two holes on the outlet box with appropriate slots on the mounting plate. While the mounting plate is leveled horizontally, use a pencil to mark the hole located near each end of mounting plate on the wall for drilling. Set aside the mounting plate and drill four holes into the wall. Then insert four plastic anchors into the holes.
3. Attach the mounting plate to the outlet box with two outlet box screws and screw anchor screws into four plastic anchors to tighten mounting plate securely on the wall.
4. Place the arm at the center front of the lamp body, aligning the top and bottom mounting holes, lock it securely with the mounting screws.
5. Guide the supply wires and ground wire from outlet box through the center hole on the mounting plate.
6. **Make wire connections:**
 - attach fixture ground wire to supply ground wire using a wire nut or attach them to the mounting plate with a green ground screw.
 - attach white wire from light to white wire from power source with a wire nut.
 - attach black wire from light to black wire from power source with a wire nut.**Observing: ground wire with ground wire, neutral wire with neutral wire, hot wire with hot wire.**
*****Make sure all wire connectors are secured and do not easily pull off with the slight tug.**
7. Once all wires are connected, tuck them carefully into outlet box.
8. Place the back plate over mounting plate and secure back plate to mounting plate with mounting screws.
9. Install bulbs. (not included) (Please do not exceed the maximum capacity which is recommended on the fixture.)
10. Place the glass shade into the lamp holder of the lamp body frame.
11. Your installation is now complete. Return the power to the outlet box and test the fixture.



1947-2S